

# LEONARDO

## A GENIUS IN PALLET WRAPPING

### INNOVATIVE HIGH-TECHNOLOGY PATENTED DEVICES, SUCH AS:

- ✓ **TELESCOPIC MAST** <sup>PAT</sup>
- ✓ **ELECTRIC MANOEUVRING SYSTEM** <sup>PAT</sup>

### UNIQUE OF ITS KIND

*A little big genius capable of wrapping loads of any weight and area with stretch film and still more...*

*100% smaller working area than most robots because used with restricted space and when not required it can be moved away and the free space used for another purpose.*

#### LITTLE THANKS TO:

- RESTRICTED WORKING AREA
- COMPACT OVERALL DIMENSIONS AND REDUCED WEIGHT
- MAINTENANCE FREE

#### GREAT THANKS TO:

- HIGH QUALITY STANDARDS
- HIGH FUNCTIONALITY
- HIGH PERFORMANCES

**INCREDIBLE BECAUSE OF ITS PRICE/QUALITY RATIO**

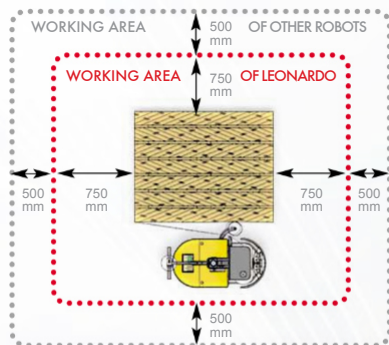
### SPECIFICATIONS

- *Rotation system around the pallet thanks to a touching wheeler*
- *Film tension, after power pre-stretch, adjustable by a potentiometer*
- *Load-height automatically detected by a photoeye or predetermined on control panel*
- *Bottom/middle/top revolution predetermined on control panel*
- *Only up-cycle*
- *Drive system through push buttons*
- *Sound and light working signal*

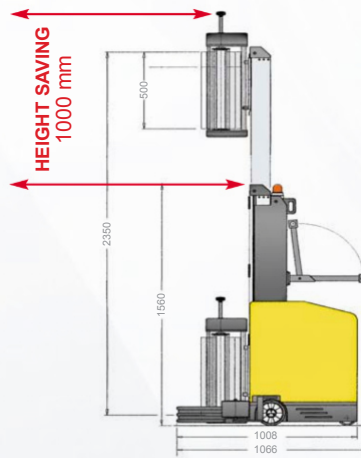


## THE GREATEST ADVANTAGES

- **ELECTRIC MANOEUVRING SYSTEM<sup>PAT</sup>**: reduces the working area even more in comparison with most robots
- **TELESCOPIC MAST<sup>PAT</sup>**: makes handling and transport easier inside the operating areas
- **100% POWER PRE-STRETCH SYSTEM<sup>PAT</sup>**: fitted as standard - allows to work using film of less good quality
- **MICROPROCESSOR LOGIC BOARD<sup>PAT</sup>**: 6 different pre-programmable memorized settings
- **MAINTENANCE FREE AND SEALED BATTERIES**: no fill - recharged from standard 220 Volt power supply in any place
- **REDUCED OVERALL DIMENSIONS AND WEIGHT**: approximately 50% less than most robots
- **EASY SHIPPING**: no parts to be assembled, ready to work



**UNBELIEVABLE  
REDUCED WORKING AREA**



**TELESCOPIC MAST**



## TECHNICAL SPECIFICATIONS

|  |   |
|--|---|
| Overall machine dimensions L x W x H                           | 1066x738x1560 mm                                      |
| Machine weight   | 220 kg (batteries included)                           |
| Power supply with 4 batteries                                  | 24Vcc   |
| Power supply   | 220V/1Ph/6A   |
| Traction system with DC motors                                 | 24Vcc   |
| Motorized film-holder movement by chain                        | 24Vcc   |
| Motorized pre-stretch system                                   | 24Vcc   |
| Up/down speed  | adjustable  |
| Maximum wrapping height (measured at the top)                  | 2350 mm   |
| Minimum pallet dimensions                                      | less than 500x500x500 mm                              |
| Maximum pallet dimensions                                      | no limit  |
| Film: stretch PE film - thickness: 17/35 $\mu$ - width: 520 mm | $\varnothing$ ext. max 230 / $\varnothing$ int. 76 mm |
| Shipping dimensions L x W x H                                  | 1200x800x1800 mm                                      |
| Shipping gross weight  | 250 kg  |



**ITALDIBIPACK**

Via Europa, 35 - 20005 Pogliano Milanese - Milano (Italy)  
tel. +39 02 9396461 - fax: +39 02 93549494